



Performing for **passion**





### ADACTA LEO GENERAL DESCRIPTION

ADACTA LEO is the frame for positioning systems. It is made in alloy of satin aluminium to guarantee lightness and durability.

The absence of welds makes it very safe. The ADACTA LEO frame, thanks to its modularity, presents a variety of configurations able to follow the pathological evolution of the user, the growth and consequential postural adjustments. The device is intended for personal use, both indoor and outdoor and has to be used under the supervision of an attendant.

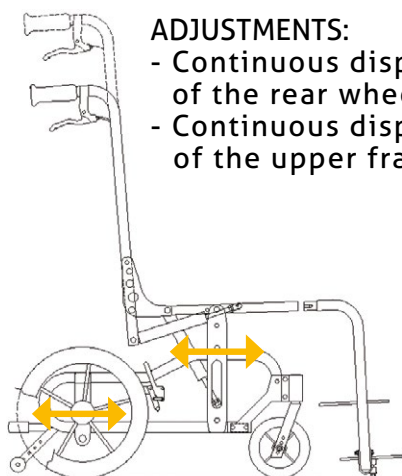
ADACTA LEO can be set to the user's needs by acting on:

- The displacement of the upper frame (which houses the positioning system) with respect to the under frame;
- The displacement of the rear wheels in order to guarantee the safety conditions (as reported in the Instruction Manual).

### ADACTA LEO FRAMES FOR POSITIONING SYSTEMS

#### ADJUSTMENTS:

- Continuous displacement of the rear wheels plates
- Continuous displacement of the upper frame

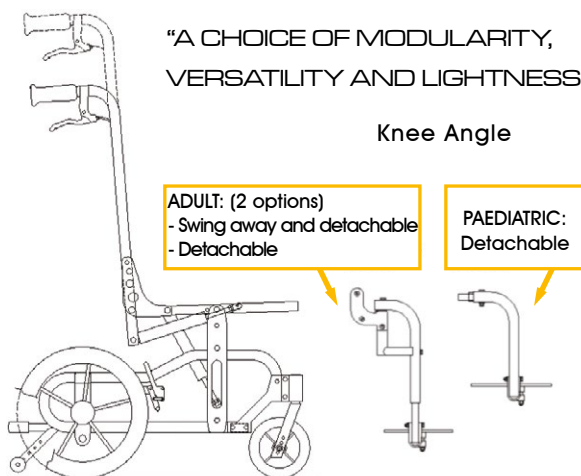


"A CHOICE OF MODULARITY, VERSATILITY AND LIGHTNESS"

Knee Angle

ADULT: (2 options)  
- Swing away and detachable  
- Detachable

PAEDIATRIC:  
Detachable



The most **STABLE** and **RESISTANT** between the frames for positioning systems

### FRAME SIZE

Frame size\* (cm)

	SIZE	SEAT WIDTH	DEPTH AND ADJUSTMENTS:
PAEDIATRIC	US	30	38
	XXS	35	38
	XS	35	42
ADULT	XS1	38	46
	S	41	46
	M	41	50
	M1	44	50

\*Width measurements are from tube to tube externally, while depth measurements are from backpost to footboard engagement.



## FUNDAMENTAL PARTS

- Rigid satin anodised Adacta Leo frame without sling
- Continuous Tilt in space:
  - Adult from 4° up to 30°\* (from 8° up to 34°)<sup>①</sup>
  - Paediatric from 2° up to 30°\* (from 6° up to 34°)<sup>①</sup>
- \* (Guaranteed by starting before the reclining and then the tilt in space)
- ① tilt in space can be up-graded of 4° with an increment of the starting inclination of the frame by operating on the positioning holes of the casters forks.
- Continuous reclining by gas spring (from 3° up to 25°)
- Tilt in space by drive lever
- Parking brake lever
- Folding down back posts with height adjustable and rotating pushing handles
- Continuous displacement of the upper frame with respect to under frame
- Continuous displacement of the rear wheels plates
- Fixed anti-tip system
- Foot Plates
- Knee Angle:
  - Adult size swing-away and detachable: Vertical (elevating and telescopic)
  - Paediatric size detachable: Elevating

## OPTIONAL PARTS

(WITH OR WITHOUT UP-CHARGE. PLEASE REFER TO THE ORDER FORM)

- Casters:
  - 150 mm o 6" poly
  - 175 mm o 7" poly
- Posterior Wheels:
  - 300 mm o 12" (poly or pneumatic, poly or pneumatic with drum brake, poly or pneumatic with drum brake + lever)
  - 400 mm o 16" (poly, poly with drum brake only with 45cm height)
  - 500 mm o 20" (poly or pneumatic without handrims, pneumatic with handrims and drum brake, pneumatic with handrims and drum brake + lever)
  - 600 mm o 24" (pneumatic with handrims, not available on size US Tilt in space is reduced to 20°, only 47 cm height)
  - handrims for 500 mm wheels
- Knee Angle:
  - Adult size (2 versions)
    - \*swing-away and detachable: 90°, 75°, Elevating,
    - \*Detachable (only): 90°, 75°, Elevating, adjustable in adduction/abduction with tube
  - Paediatric size only detachable: 90°, 75°, adjustable in adduction/abduction with tube
- Footrest
  - Footboard
  - Slotted, multi-axial (on footplates only)
- Tilt in space by pedal switch alternatively to the lever standard one, which is strongly recommended
- Back posts:
  - Adjustable angle handlebar kit
  - Push handles kit with lever block (alternatively to the standard ones for an easy and immediate locking)
  - Telescopic and adjustable angle handlebar kit
- Detachable anti-tip system



## ACCESSORIES

The various range of accessories allows to set the system to user's needs

- Wooden seat base
- Backrest base (wooden or adjustable straps system)
- Height adjustable flip back tubular armrests/ inclination
- Kit of ABS laterals height adjustable w/armrest
- Kit of ABS laterals multi-adjustable, detachable and w/multi-adjustable arm support
- Kit of hardware multi-adjustable, detachable for ABS laterals
- Versa range hip guides
- Versa range arm supports
- Separate leg cradle or Calf panel
- Padded Divided Leg Cradles or Padded foot box
- Calf Strap (padded or simple)
- Versa Fixatis pelvic belt
- Wooden tray
- Wooden Supporting Base for Breathing Equipment
- Pedal for barriers

## HEIGHT (floor-to-seat-rails)

Height:

- 43 cm or 49 cm with 300/500 mm wheels
- 45 cm with 400 mm wheels
- 47 cm with 600 mm wheels

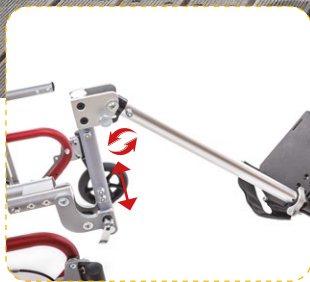
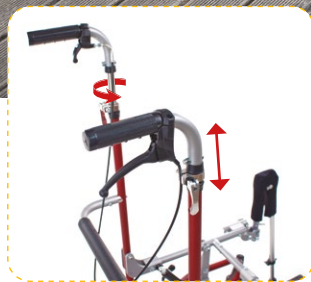
## COLOURS

ADACTA LEO is available in 5 different colours

BLUE	RED	TITANIUM	TURQUOISE	PINK
				

For the complete list of the optional parts and/or accessories, please refer to the latest order form in force

For partially sighted users this document can be visualized in PDF format on the web site [www.promedicare.eu](http://www.promedicare.eu) with the possibility to enlarge the next.

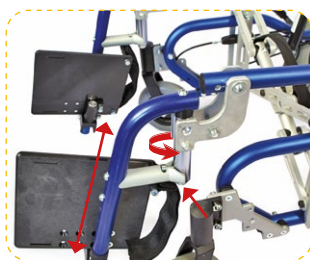
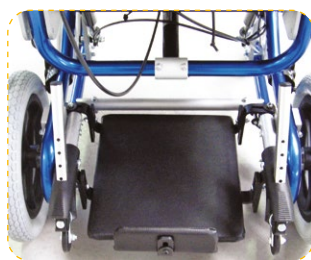


**TELESCOPIC AND ROTATING PUSH HANDLES**

**KNEE ANGLE ADJUSTMENT**

**RECLINING GAS SPRING POSITION**

**ANTI TIP SYSTEM**



**WOODEN SUPPORTING BASE FOR BREATHING EQUIPMENT**

**WOODEN BASE**

**DETACHABLE KNEE ANGLE (PAEDIATRIC SIZES)**

**DETACHABLE AND SWING AWAY KNEE ANGLE (ADULT SIZES) WITH TELESCOPIC FOOTREST**

## FRAME DIMENSIONS AND FEATURES

Width (cm)		US	XXS	XS	XS1	S	M	M1
300 mm wheel	standard	48	53	53	56	59	59	62
	w/drum brake	49	54	54	57	60	60	63
400/500 mm wheel	standard	50	55	55	58	61	61	64
	w/drum brake	53	58	58	61	64	64	67
600 mm wheel		/	55	55	58	61	61	64
Pivot width (cm)		69	69	72	75	75	78	78
Q*(min-max) Height Seat rail to footplate (cm)		13-23	13-23	13-26	28-36	28-36	32-40	32-40
H** Seat rail to floor (cm)		43-49 with 300/400/500mm wheels and 150/175mm casters 45 with 400mm wheels and 150/175mm casters 47 with 600mm wheels and 150mm casters						
Max slope		7°						

Load (kg)/ Frame weight (kg)	Load (kg)	Weight (kg)
US	50	15.5
XXS	50	15.7
XS	50	16.1
XS1	75	19.8
S	75	20.4
M	100	21
M1	100	21.7

Note: \* The value Q, referred to 90° footrest hanger, can be increased of about 5-7 cm by using the 75° hanger  
 \*\* The value H has been detected outside the seat tube at the plate of the tilt mechanism; the frame will be delivered with H=43 cm

Weight of the frame, including wheels, knee angle and footplates as standard configuration



## FRAME DIMENSIONS AND FEATURES

The device can be disassembled without the use of specific tools. It can be transported in the car or in the plane. It can't be used as seat in a vehicle.

Overall dimensions (cm) of the frame with backrest tubes (fixed) folded down, footrest and posterior wheels detached

Size	US	XXS	XS	XS1	S	M	M1
Length	66	66	68	71	73	83	83
Width	42	48	48	51	54	54	57
Height	65	65	66	67	67	68	68
Weight (kg)	11.5	11.7	12.1	14.5	15.1	15.7	16.7

**Note:** The length dimensions, referred to the average values, are subjected to the variations due to the displacement of the wheel plates. The values reported are intended for the standard configuration.

Size		US	XXS	XS	XS1	S	M	M1	
300 mm Wheel	Without knee angle	L	70	70	73	75	75	78	78
	75° knee angle	Lmin/Lmax	92/99	92/99	93/100	97/104	97/104	100/107	100/107
	90° knee angle	Lmin/Lmax	88/94	88/96	91/99	93/100	93/100	96/103	96/103
400 mm Wheel	Without knee angle	L	74	74	77	79	79	82	82
	75° knee angle	Lmin/Lmax	95/101	95/101	96/103	100/107	100/107	103/110	103/110
	90° knee angle	Lmin/Lmax	93/99	93/99	94/100	96/102	96/102	99/104	99/104
500 mm Wheel	Without knee angle	L	78	78	81	84	84	87	87
	75° knee angle	Lmin/Lmax	98/103	98/103	99/107	103/113	103/113	106/116	106/116
	90° knee angle	Lmin/Lmax	95/101	95/101	97/102	100/106	100/106	103/109	103/109
600 mm Wheel	Without knee angle	L	/	83	84	85	85	88	88
	75° knee angle	Lmin/Lmax	/	101/109	103/112	108/116	108/116	111/120	111/120
	90° knee angle	Lmin/Lmax	/	98/104	101/107	105/112	105/112	108/116	108/116

**L** = Length of the frame without knee angle joint mechanism

**Lmin** = Length of the frame with knee angle joint mechanism and footplate positioned backward

**Lmax** = Length of the frame with knee angle joint mechanism and footplate positioned forward

**Note:** The length dimensions, referred to the average values, are subjected to variations due to the displacement of the wheel plates. The values reported are intended for the standard configuration



Frame for positioning systems

MANUFACTURED AND DISTRIBUTED BY:



Via Montagna Z.I. - Lotto 41  
72023 Mesagne (BR) - ITALY  
Tel. +(39) 0831 777840  
Email: info@promedicare.it  
www.promedicare.eu

CERTIFIED COMPANY WITH QUALITY  
MANAGEMENT SYSTEM ISO 9001/ISO 13485

CERTIFIED  
ISO 9001  
ISO 13485



CE 2 YEARS WARRANTY

www.promedicare.eu

*The producer reserves the right to make changes without notice.  
The contents, the form, the design, the image, the structure of this  
catalogue are property of Pro Medicare s.r.l.  
Any improper or unauthorised use is strictly forbidden.  
Any limitation and/or explicit or not explicit copy can be pursued by the Law.*