






ZEUS Integrated Positioning System



-  **Easy to handle**
-  **Modifiable**
-  **Versatile**
-  **Lightweight**
-  **Safe**



Superior Comfort and Positioning



Materials

- **Modular frame** made of satin anodised aluminum with no welds.
- **Backrest** composed by a high strength aluminum shell, a kit of polyethylene inserts with cushioning properties, padding consisting of two layers of foam polymeric self-modeling and reticulated, a lining of microclimatic fabric ventilated and stretchable.
- **Cushion** with flat base and kit of polyethylene inserts with cushioning properties, free shape foam padding composed by very high performing anti-decubitus and viscoelastic foams and the new 3D cover, air exchange, incontinent, not flammable and antibacterial.

Standard Features

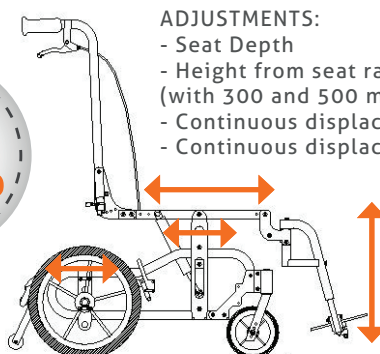
- Adacta Liga Light tilt in space positioning frame rigid or folding
- Multi-adjustable footplates with 75° fixed knee angle, swing away and detachable leg support
- Modular positioning system for the trunk INSERTO BACK SUPPORTO
- Modular positioning system for the pelvis INSERTO SEAT BASICO
- Kit of ABS laterals with padded arm supports
- Versa Capitis Comfort headrest
- Versa Fixatis pelvic belt with 2 attaching points 2 adjustments and lateral squeeze plastic buckle closure
- Parking brake lever
- Fixed push handles kit
- Reclining mechanism by predetermined plate w/pin 3°, 9°, 15°, 22°
- Fixed Anti-tip system
- Continuous Tilt in Space by drive lever from 4° up to 30° (from 8° to 34°)①
 - ① Tilt in space can be up-graded of 4° with an increment of the starting position of the frame by operating on the positioning holes in the caster fork.
- Rigid wooden seat base covered leather flex

Clinical information / Destination of use

Ideal for patients affected by low, medium and high postural deficiencies as results of several pathologies. Zeus through the combination of Adacta Liga Light Frame with Inserto cushion and backrest, allows customisation and adjustments during the assessment, delivery and after-delivery follow-ups, to all patients affected by leg length discrepancies, wind swept, pelvic obliquity, anterior/posterior pelvis tilt even combined and/or related to scoliosis, lordosis and kyphosis. ZEUS is intended for personal use both indoor and outdoor and has to be used under the supervision of an attendant.



"A CHOICE OF SAFETY"



ADJUSTMENTS:

- Seat Depth
- Height from seat rails to floor 43cm / 49cm (with 300 and 500 mm wheels)
- Continuous displacement of the wheels plates
- Continuous displacement of the upper frame

Guide to the choice of the Postural Equipment

Intensity of the postural support



Intensity of the postural support



Optional Parts

(With or without up-charge. Please refer to the Order Form)

- Castors: 150 mm or 6" poly, 175 mm or 7" poly
- Posterior Wheels:
 - 300 mm or 12" (poly or pneumatic, poly or pneumatic with drum brake, poly or pneumatic with drum brake + lever)
 - 400 mm or 16" (poly or poly with drum brake only 45 cm height)
 - 500 mm or 20" (poly or pneumatic without handrims, pneumatic with handrims and drum brake, pneumatic with handrims and drum brake + lever)
 - 600 mm or 24" (pneumatic with handrims, not available on size US)
- NOTE: The tilt in space is reduced to 20°, only 47 cm height
- handrims for 500 mm o 20"
- Knee angle 90°, elevating, vertically elevating and telescopic
- Push handles kit height adjustable by pin
- Telescopic push handles kit with lever block
- Adjustable single handlebar kit for rigid frame
- Telescopic and adjustable angle handlebar kit
- Quick-release pins for easier backrest inclination
- Modular pelvic positioning system Versa Inserto Seat Mediano or Domino
- Modular trunk positioning system Versa Inserto Back Effecto Lato
- Detachable anti-tip system

Accessories

- Versa Fixatis dynamic butterfly harness
- Versa Tray
- Calf supports swing-away
- Padded calf strap
- Abduction block removable
- Vehicle transportation kit (available only with 300mm and 500mm posterior wheels)
- Thoracic supports for Versa Inserto Back EFFECTO LATO and SUPPORTO
- Pedal for barriers

For the complete list of the optional parts and/or accessories, please refer to the latest order form in force.
For partially sighted users this document can be visualized in PDF format on the web site www.promedicare.eu with the possibility to enlarge the next.

Technical Features

ZEUS SIZE		MAX LOAD values expressed in kg	FRAME WEIGHT Values expressed in kg	PIVOT WIDTH (cm)	MAXIMUM OVERALL DIMENSIONS IN WIDTH/LENGTH* values expressed in cm							
					300mm Wheels		400mm Wheels		500mm Wheels		600mm Wheels	
					Standard	w/drum brake	Standard	w/drum brake	Standard	w/drum brake		
XS1	Rigid	75	19.2	75	56/100	57/100	58/100	61/100	58/106	61/106	58/112	
	Folding	75	19.5									
S	Rigid	75	19.5	75	59/100	60/100	61/102	64/102	61/106	64/106	61/112	
	Folding	75	19.9									
M	Rigid	100	19.8	78	59/103	60/103	61/104	64/104	61/109	64/109	61/116	
	Folding	75	20.2									
M1	Rigid	100	19.9	78	62/103	63/103	64/104	67/104	64/109	67/109	64/116	
	Folding	75	20.3									
L	Rigid	100	20.1	75	65/100	66/100	67/102	70/102	67/106	70/106	67/112	
	Folding	75	20.5									
XL	Rigid	100	20.3	78	65/103	66/103	67/104	70/104	67/109	70/109	67/116	
	Folding	75	20.8									

Maximum slope 7°

Note: The length dimensions, referred to the average values, are subjected to variations due to the displacement of the wheel plates. The values reported are intended for the standard configuration.

* With Knee Angle At 75°

The device can be disassembled without the use of specific tools. It can be transported in the car or in the plane. It can be used as seat in a vehicle, provided that this one is equipped of transportation kit adaptations for people with disabilities.

ZEUS SIZE	USER PARAMETERS		DEPTH ADJUSTMENT OF THE FRAME (cm)	CUSHION SIZE (width x depth) (cm)	SUPPORTO BACK SIZES (cm)				EFFECTO LATO BACK SIZES (cm)			
	Pelvis Width (cm)	Seat Depth (cm)			Backrest	Height	Shell Width	Trunk Width	Backrest	Height	Shell Width	Trunk Width
XS1	ADJUSTABLE WITH INNER INSERTS	35-45	da 44 a 52	40x45	3944	44	36	26-34	3945	45	39	w/bracket A 27-38 w/bracket B 22-32
S		35-45	da 44 a 52	42x45	4248	48	39	29-37	4245	45	42	w/bracket A 30-40 w/bracket B 25-35
M		40-50	da 48 a 56	42x50	4248	48	39	29-37	4250	50	42	w/bracket A 30-40 w/bracket B 25-35
M1		40-50	da 48 a 56	45x50	4550	50	42	32-40	4550	50	45	w/bracket A 33-43 w/bracket B 28-38
L		35-45	da 44 a 52	48x45	4852	52	45	35-43	4855	55	48	w/bracket A 36-46 w/bracket B 31-41
XL		40-50	da 48 a 56	48x50	4852	52	45	35-43	4855	55	48	w/bracket A 36-46 w/bracket B 31-41

Overall dimensions of the ZEUS with backrest tubes (fixed) folded down, posterior wheels and footrest hangers detached.

ZEUS SIZE		FRAME WEIGHT	MAXIMUM OVERALL DIMENSIONS - values expressed in cm		
		kg	Width	Length	Height
XS1	Rigid	12.9	51	71	67
	Folding	13.3			
S	Rigid	13.1	54	73	67
	Folding	13.6			
M	Rigid	13.5	54	83	68
	Folding	13.9			
M1	Rigid	13.6	57	83	68
	Folding	14			
L	Rigid	13.8	60	73	68
	Folding	14.2			
XL	Rigid	14	60	83	68
	Folding	14.5			

Manufactured and Distributed by:



Via Montagna Z.I. Lotto 41 - 72023 Mesagne (Br) - ITALY

Tel. +39 0831 777840 - Fax. +39 0831 730739

Sito web: www.promedicare.eu - Email: info@promedicare.it

CERTIFIED COMPANY WITH QUALITY
MANAGEMENT SYSTEM ISO 9001 / ISO 13485



ISO 9001
ISO 13485
BUREAU VERITAS
Certification



www.promedicare.eu

The manufacturer reserves the right to make changes or replacements without notice. The contents, the form, the creation, the design, the image and the structure of this catalog are the property of Pro Medicare srl. Any improper and unauthorised use is strictly forbidden. Any imitation and/or explicit or not explicit copy can be legally persecuted.